

The Medium A "Whippet" was developed from the Tritton "Chaser"

Whippets were assigned to 3rd and 6th Bns (48 each), both in 3rd brigade.

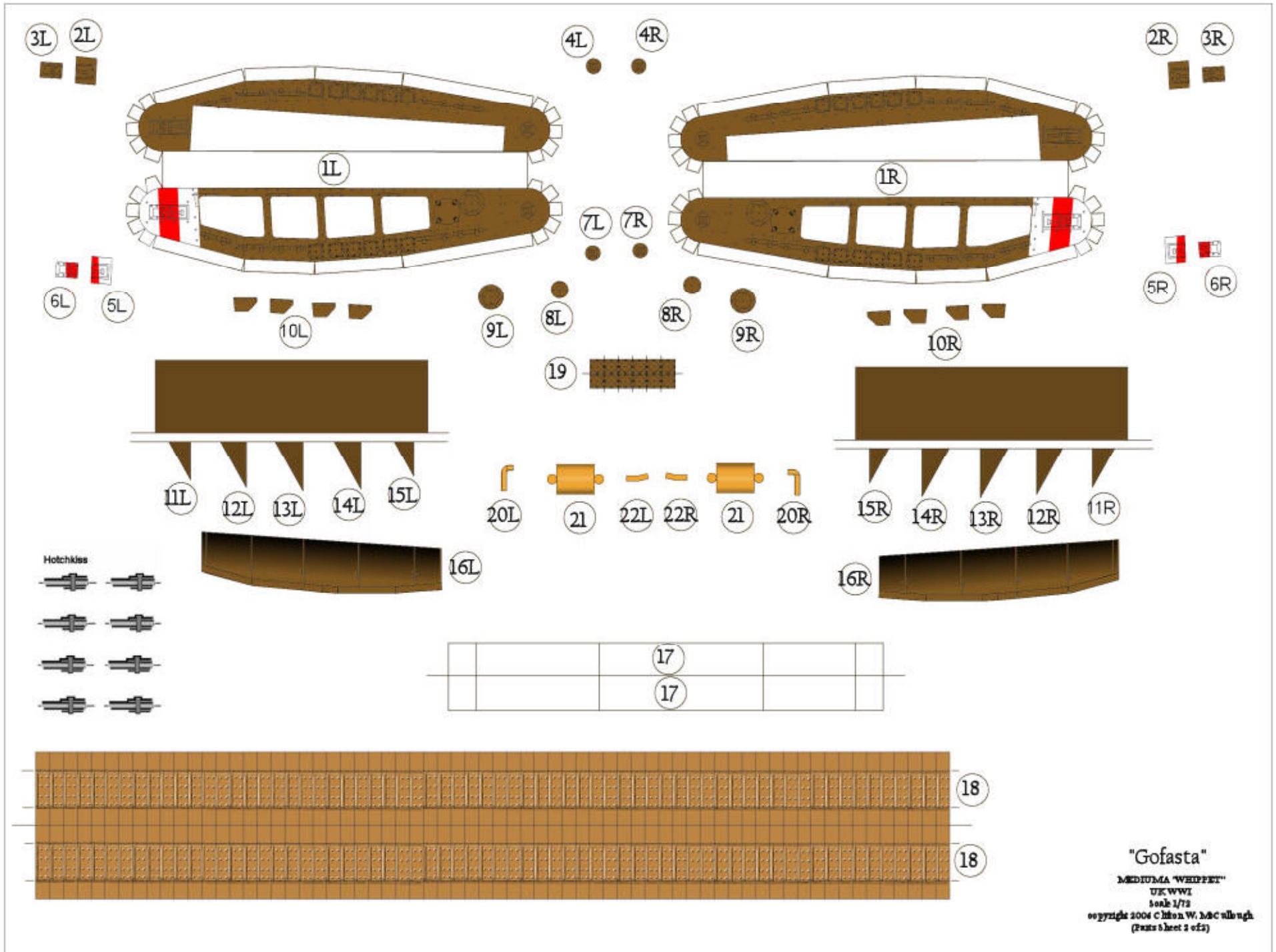
After the war Whippets were sent to Ireland during the Anglo-Irish War as part of the British forces there. "Gofasta" was one of these tanks. Seventeen Medium A's were sent to Russia to bolster the White Army in the Revolution. The Red Army captured twelve of these and used them into the Thirties, fitting at least one vehicle with a French 37 mm Puteaux gun. The Russians named them "Taylor", a misinterpretation of the maker of the tank's engine, Tyler. A few were exported to Japan. A single vehicle was sent to South-Africa to put down labour unrest, and remains at the Armour College in Pretoria. Others may be seen at the Bovington Tank Museum, Aberdeen (Maryland), CFB Borden and The Museum of the Army in Brussels.

## "Gofasta"

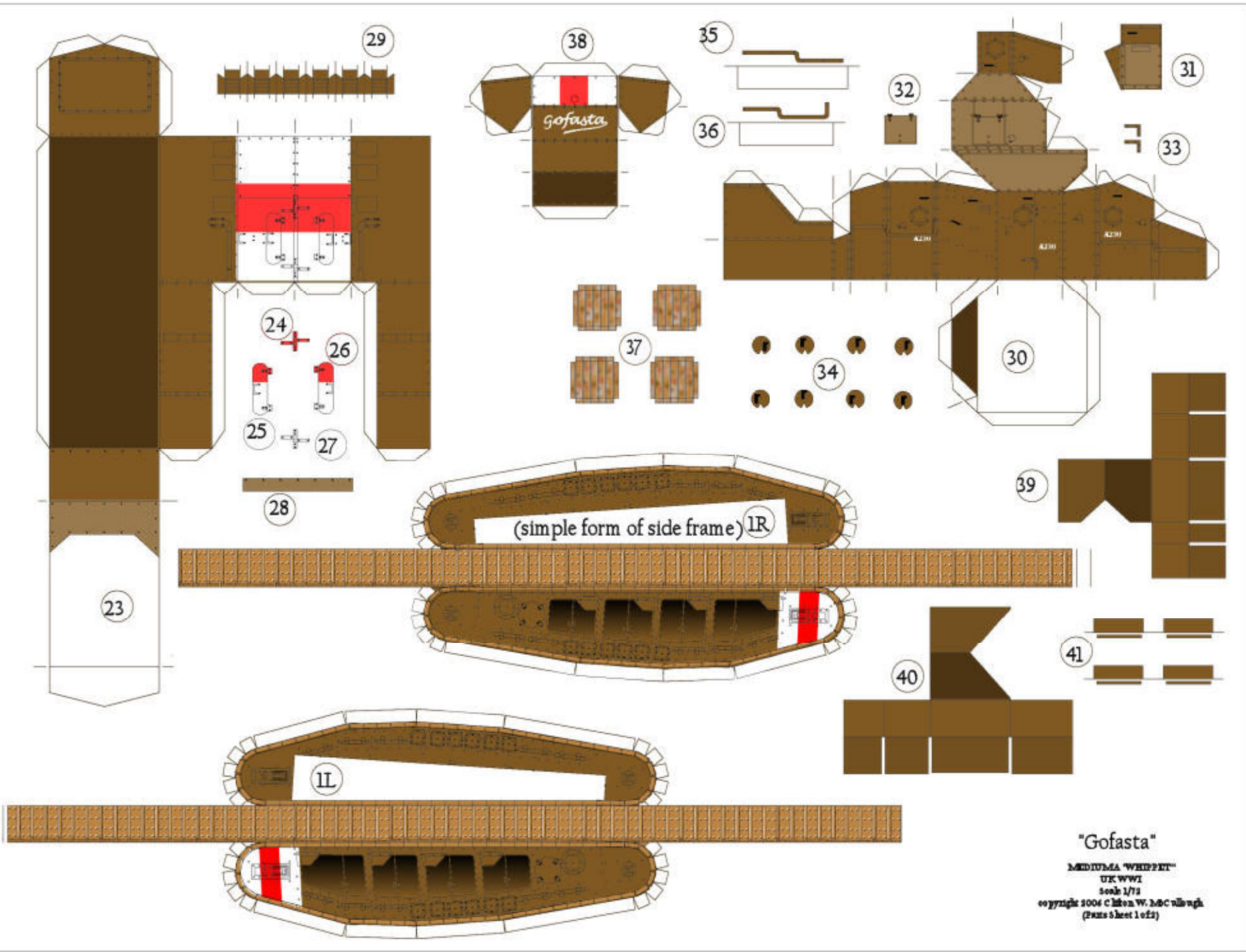
**UK WWI Tank Medium A**

1/72 Scale

copyright 2006 Clifton W. McCullough



"Gofasta"  
 MEDIUMA "WEIPPET"  
 UK WWI  
 Scale 1/72  
 copyright 2004 Clifton W. L&C all rights reserved  
 (Page Sheet 2 of 2)



(simple form of side frame) IR

IL

"Gofasta"

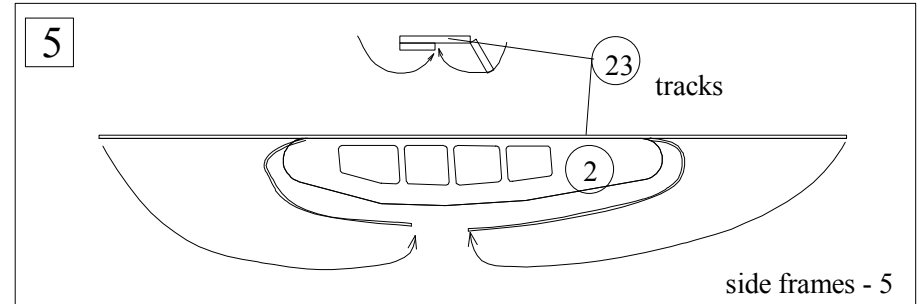
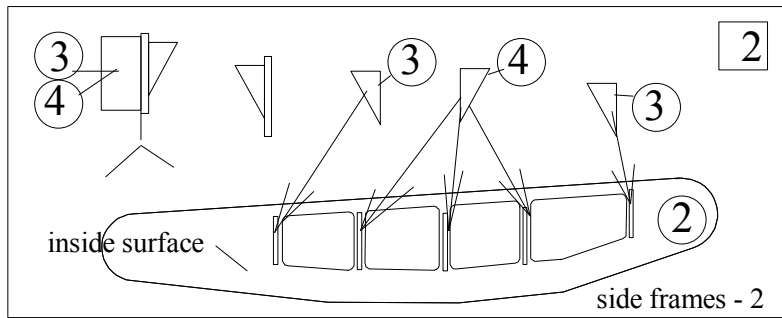
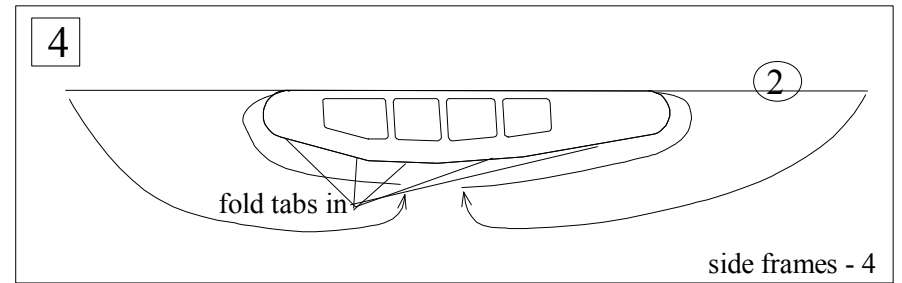
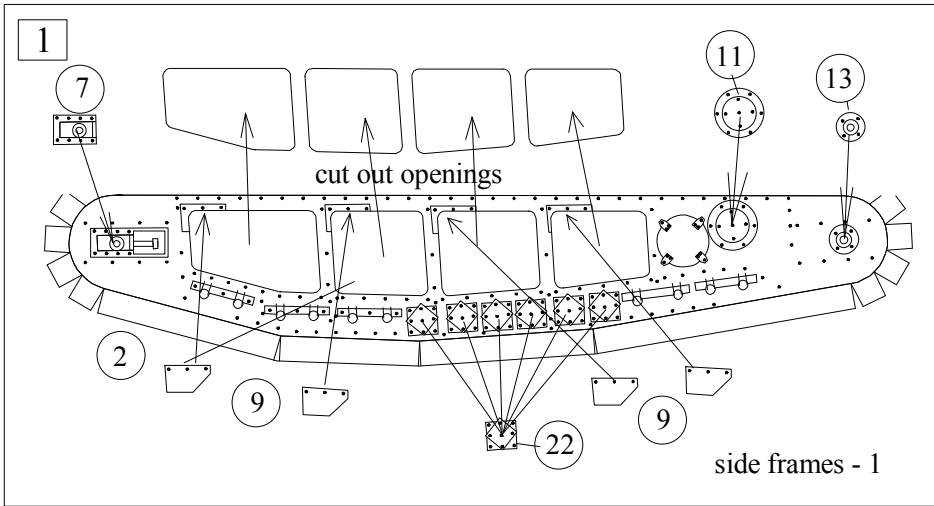
MEDIUM "WHIPPET"

UK WW1

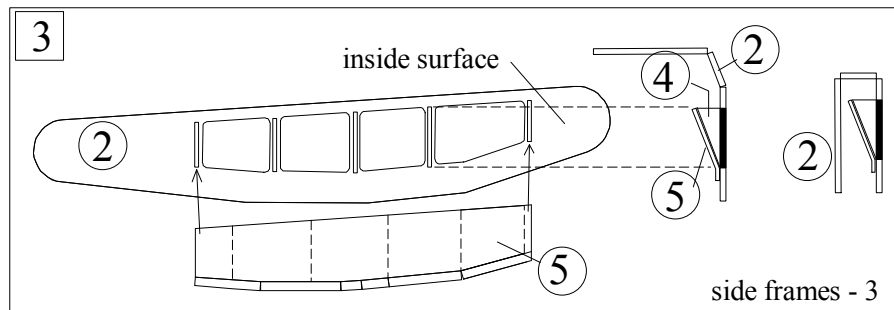
Scale 1/71

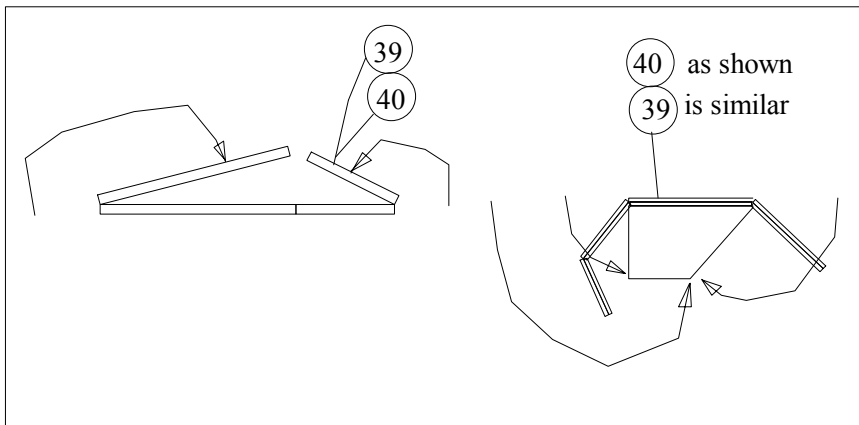
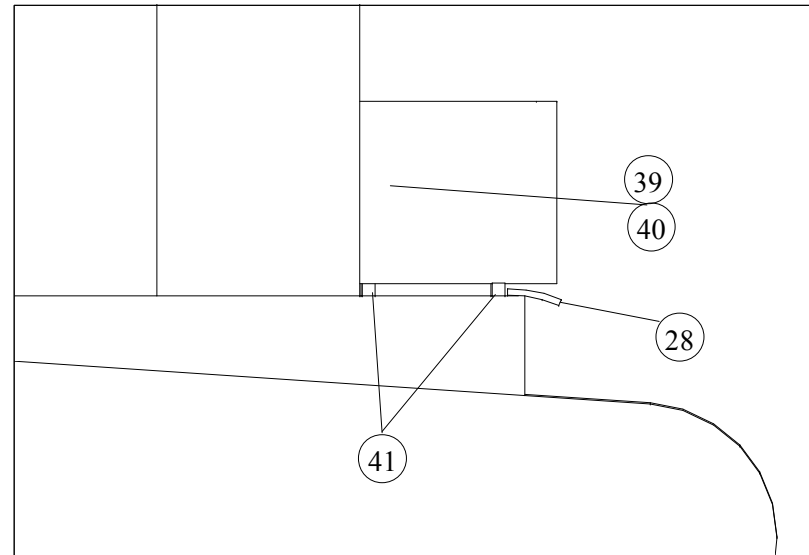
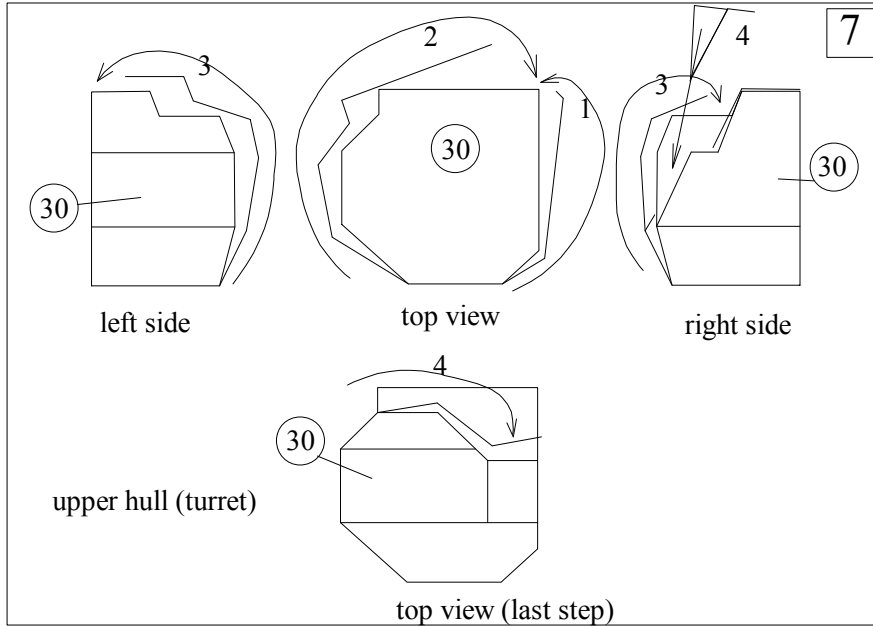
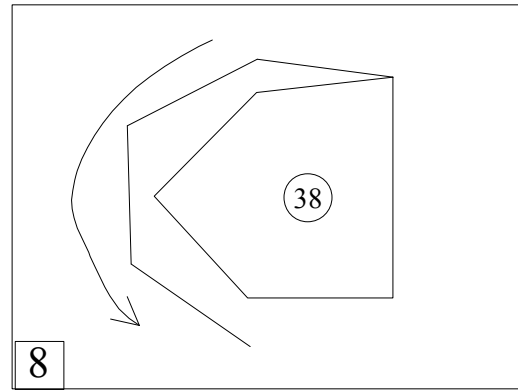
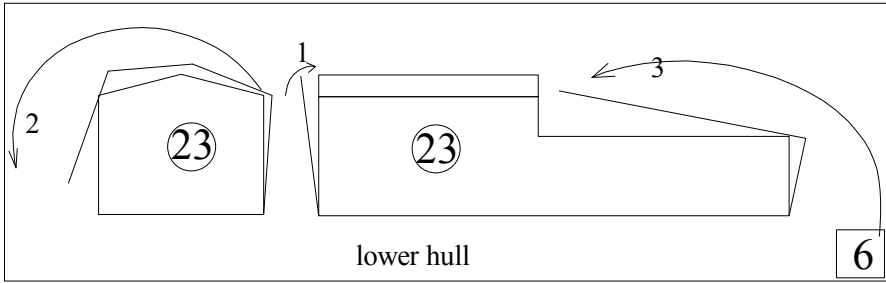
copyright 2004 © John W. D&C Limited

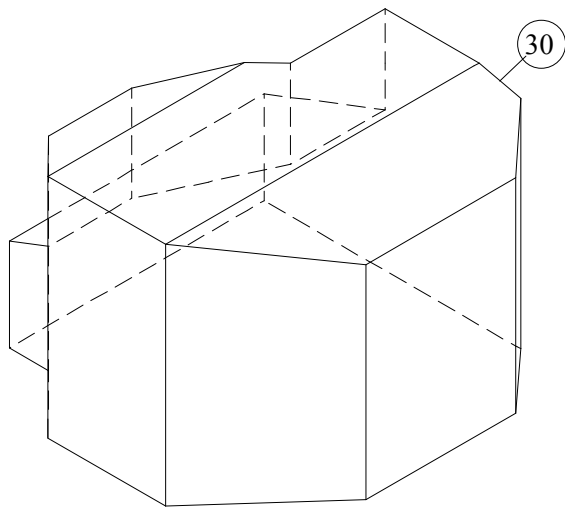
(Part Sheet 1 of 2)



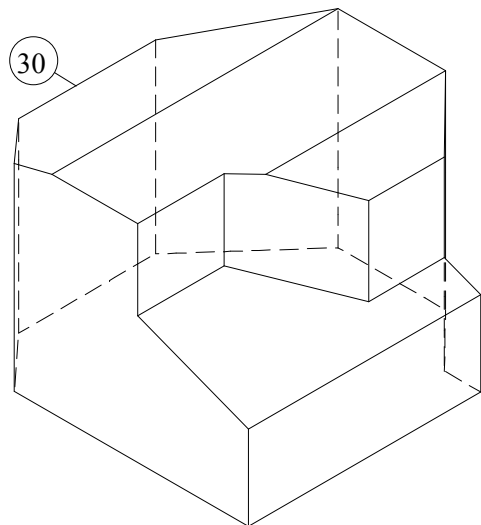
right side as shown  
(left side is similar)



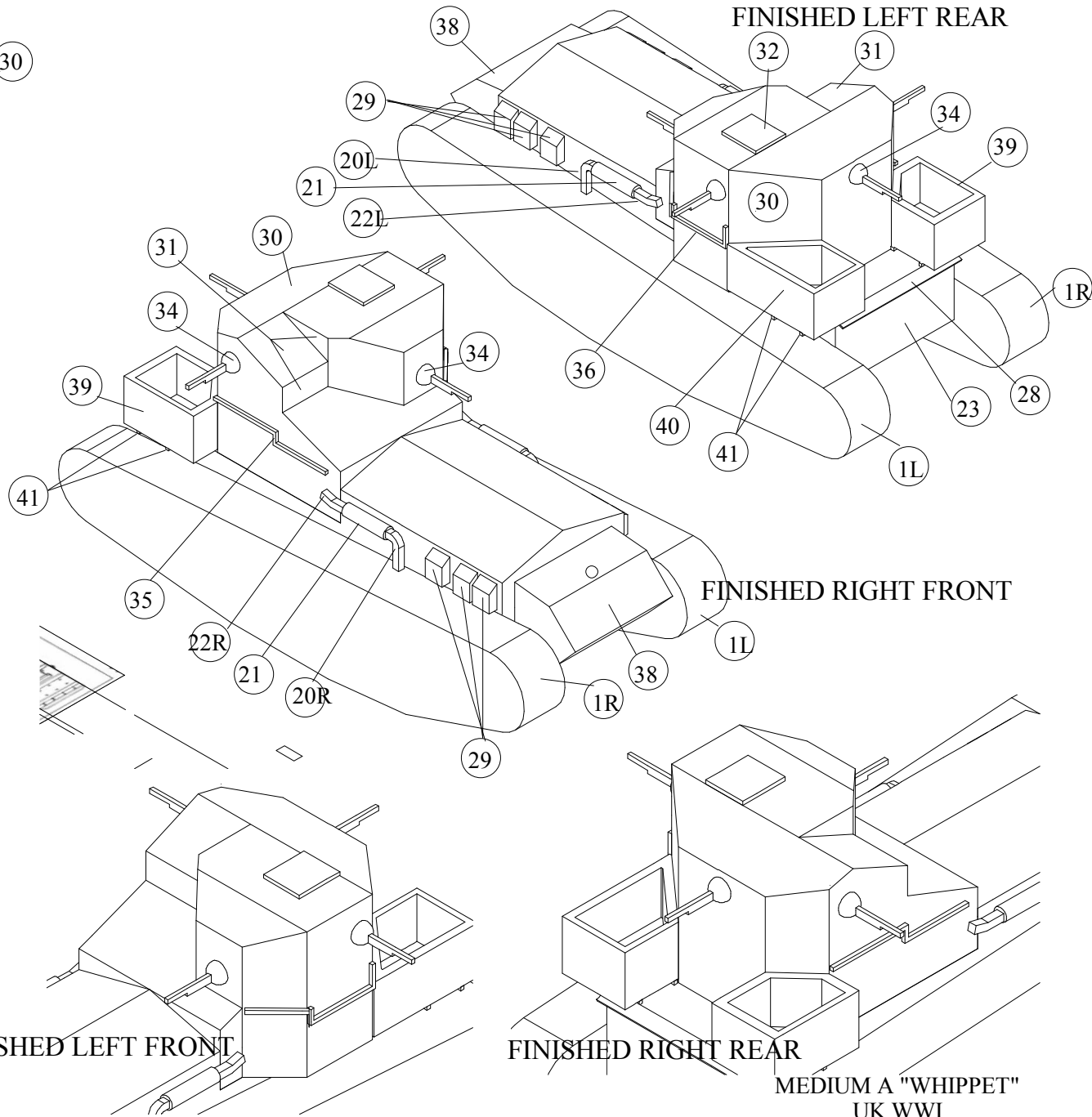




TURRET LEFT REAR



TURRET RIGHT FRONT



FINISHED LEFT REAR

FINISHED RIGHT FRONT

FINISHED LEFT FRONT

FINISHED RIGHT REAR

MEDIUM A "WHIPPET"  
UK WWI  
Scale 1/72

copyright 2006 Clifton W. McCullough  
(Instructions Sheet 3 of 3)